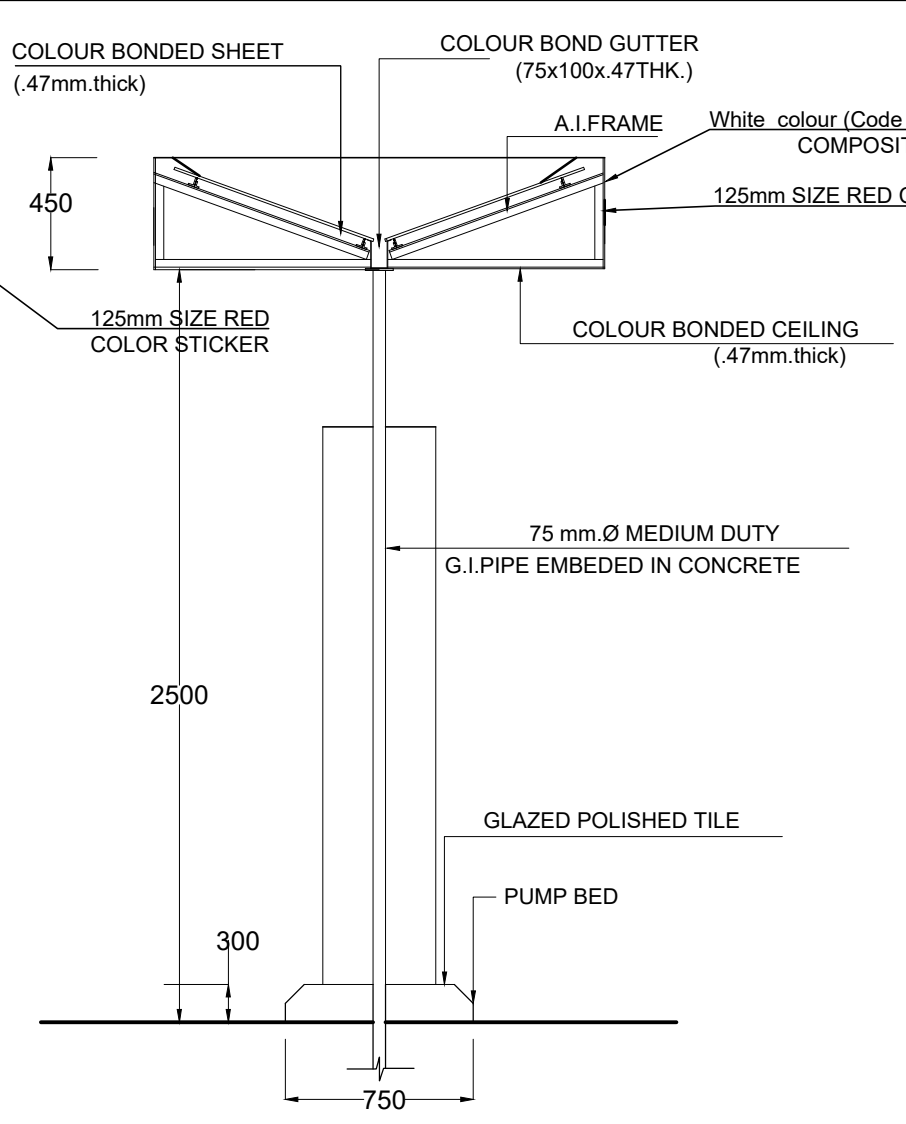
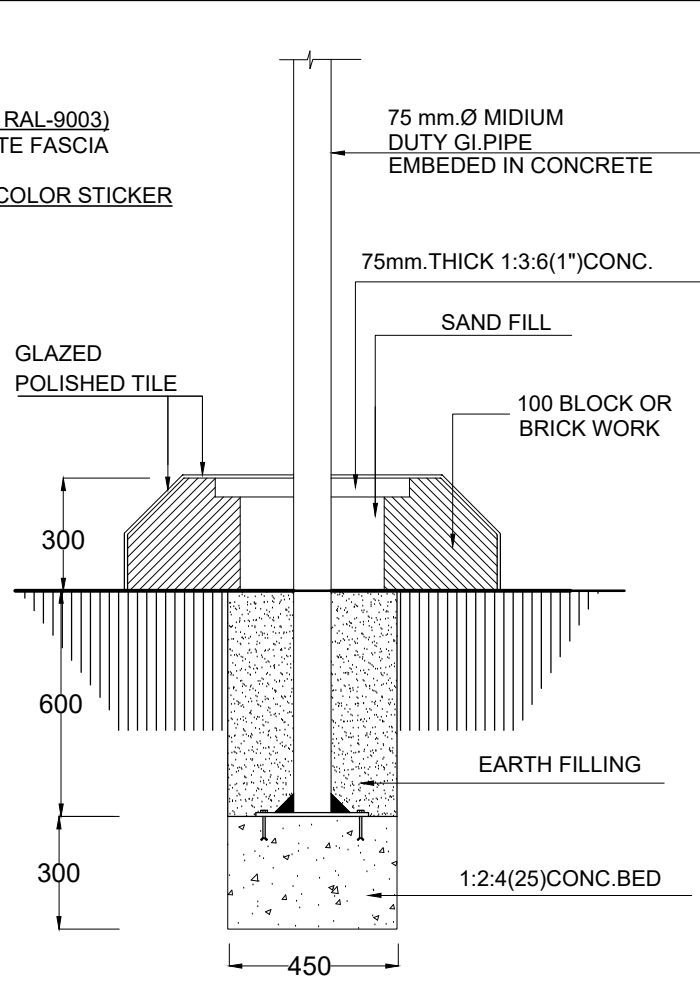


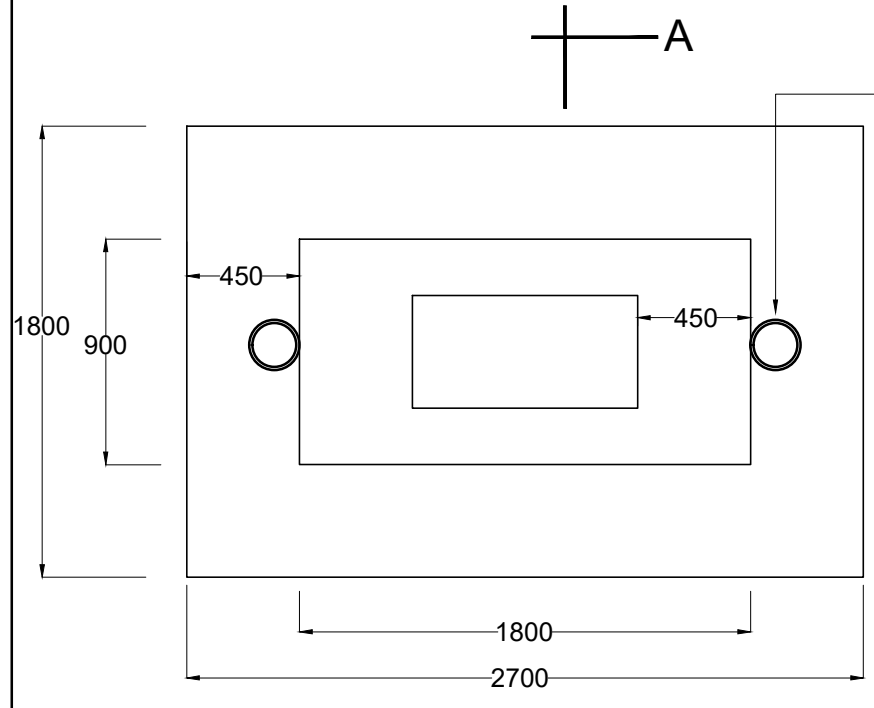
ELEVATION



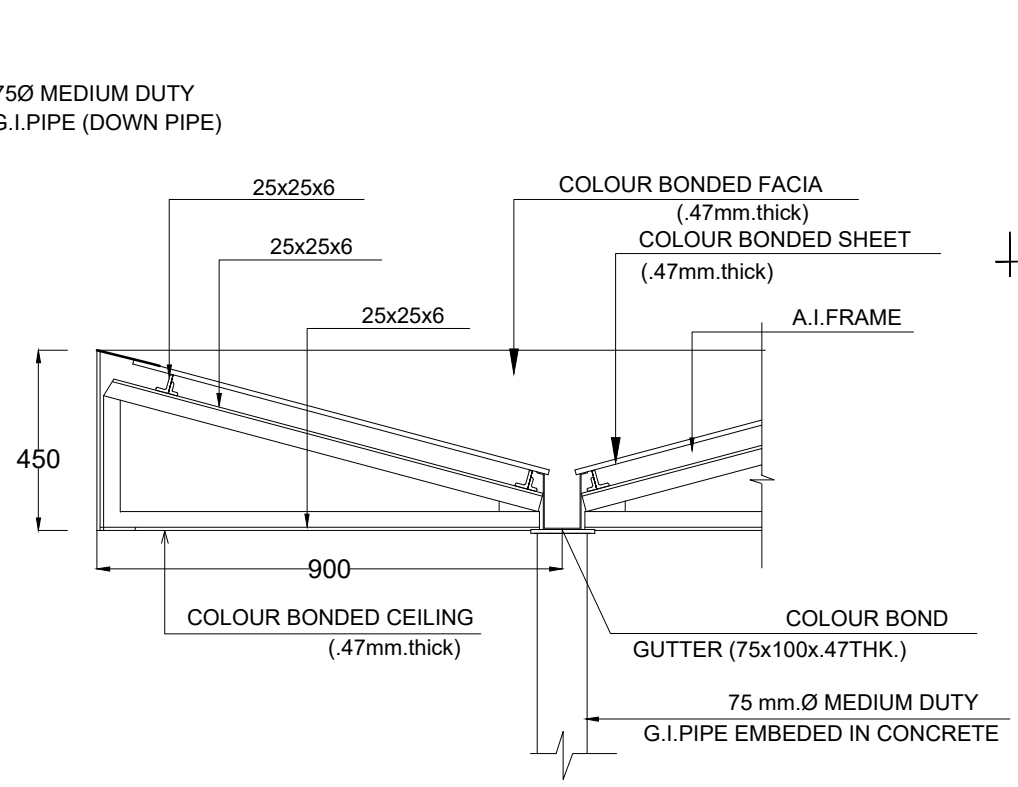
SECTION A-A



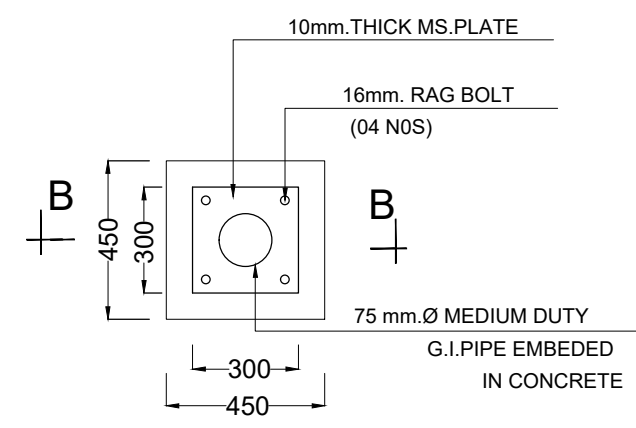
SECTION B-B



PLAN




SECTIONAL DETAIL OF ROOF



DETAIL OF FOUNDATION

NOTE:

REV.	DESCRIPTION	DATE
02		02/26
01		03/23


CEYLON PETROLEUM CORPORATION.
 ENGINEERING PROJECT,
 109, ROTUNDA TOWER
 COLOMBO - 3.
 T.P.NO: 2544296, 2544957
 FAX NO: 2473659

PROJECT: CEYPETCO FILLING STATIONS

TITLE: CONSTRUCTION OF SINGLE CANOPY

Design & Structural Engineer: Gayan Wijekoon

Drawing No: CEYPET/ENG/SK/0021-A

Scale: Not to scale Date: 23/03/2010

Drawn By: Ramani

Checked By:

Approved By: